

You will require the following:

- Ness Outdoor Tiles
- Drill
- M4 screws
- Power Supply 24VDC
- AWG 22-24 wire
- IDC Outdoor Connector IP67 (ODCON01)
- Backboard (if applicable)
- Diffuser (if applicable)
- Gloves

Important information

- Keep tile clean, use gloves for handling.
- Minimum bend radius – 100mm.
- Fixings to be always 10mm from component or tracking.
- For optimal light output, installations are limited to 9 Ness Outdoor maximum, with 1m input cable (Y dimension as #6) and 0.5m connector to connector cable.
- X dimension as #4 is variable due to diffuser used.
- For double-sided light output please see specification sheet.

- Be aware of cable and tile voltage drop limitations.
- This product must be wired by a qualified electrician or competent person.
- For other installation methods and technical assistance contact Design LED Products.

Disclaimer:

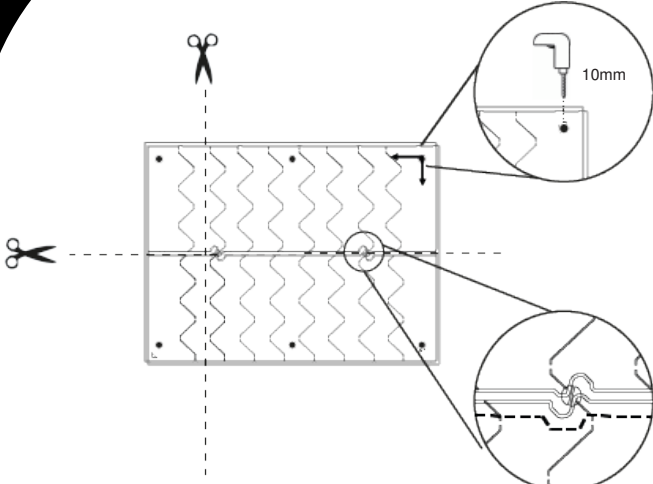
Design LED Products Ltd reserve the right to make changes to this product and related instructions without prior notice and such changes shall be effective immediately.

The light source of this tile is not replaceable. When the light source reaches it's end of life the whole tile should be replaced.

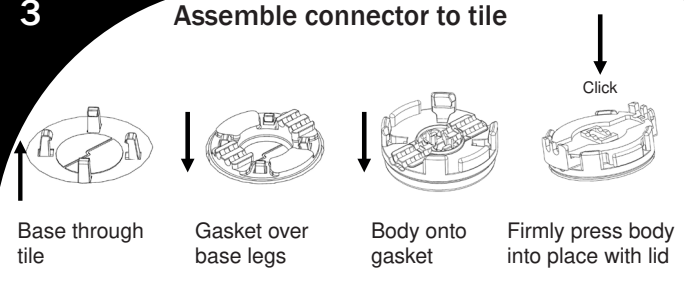


1 Cut tile (if required).

2 Mark hole location and drill screw holes

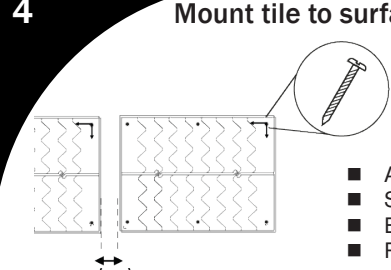


3 Assemble connector to tile



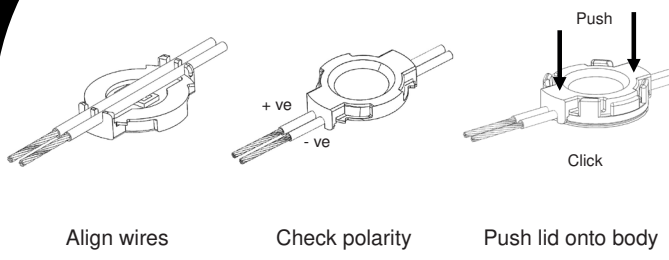
Base through tile Gasket over base legs Body onto gasket Firmly press body into place with lid

4 Mount tile to surface



- Align arrows for orientation
- Screw and fix tile 1
- Ensure gap as required
- Repeat for tile 2

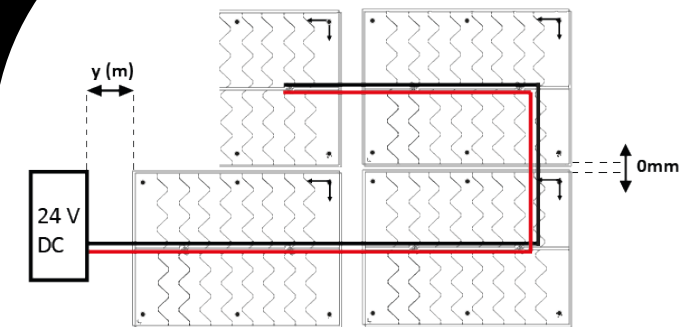
5 Connect cables



Align wires Check polarity Push lid onto body

- Ensure lid is flat and closed all legs are secured in place
- Check with 24V DC connection
- Always parallel wiring
- IDC Outdoor connectors are single use only

6 Complete installation



- Ensure no loose cables
- Check function