



Design LED's award-winning solutions offer designers, architects and artists, the opportunity to create ultra-thin, flexible backlighting. The Light Tiles can be easily integrated into walls, ceilings and different types of furniture. Doing so will enhance the visual impact of architectural or retail applications producing edge to edge, homogeneous luminous surfaces. It's now possible to have single or double-sided illumination from a single Light Tile.

'Morar' is a backlighting module engineered for cost and power savings. Its ability to be installed indoors and outdoors offers integration in applications such as ambient illumination, material backlighting, façade decoration, branding and public art.

Why Morar:

- Energy efficient, edge to edge uniform backlighting for mounting depths between 30 - 65mm
- On site customisation allows cut to fit in challenging installations, ensuring seamless integration
- Indoor or outdoor use via IDC plug & play water resistant connector (IP67)
- Modular design allows simple and quick installation with standard mountings / fixings
- No complex additional accessories required
- Flexible & thin profile allows curved or complex shapes
- Cost optimised design, with low energy consumption and maintenance
- Compatible with all 24V DC standard power supplies, including dimmable



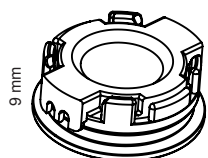
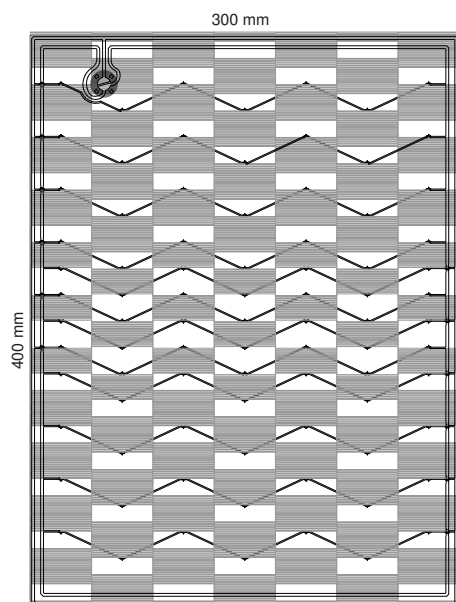
Technical Specification

Design LED Products offers a technical consulting service to ensure light and colour quality match your project specifications.

Electrical data		Photometric data	
Power consumption	6.5 W	Luminous flux	600 lm
Input voltage	24 V DC	Module efficacy	92 lm/W
Cable required	AWG 22-24	CCT	3000 K, 4000 K, 6500 K
Max. number of serially connected modules	11 modules	CRI	85 Ra
		Lumen maintenance	L70, B50 @ +25 °C > 50,000 hrs

Certifications & Safety		Physical data	
Standards	CE	Length	400 mm
Module IP Rating ^{a)}	67	Width	300 mm
Energy efficiency class	A+	Module height / Assembled height	2 mm / 9 mm
Module material	PET + PU (UL94-HB)	Weight	270 g
Connector material	PBT (UL94 HB)	Min. Bend radius ^{b)}	100 mm
		Operating temperatures	-20 °C ... +50 °C

Dimensions



Outdoor Connector

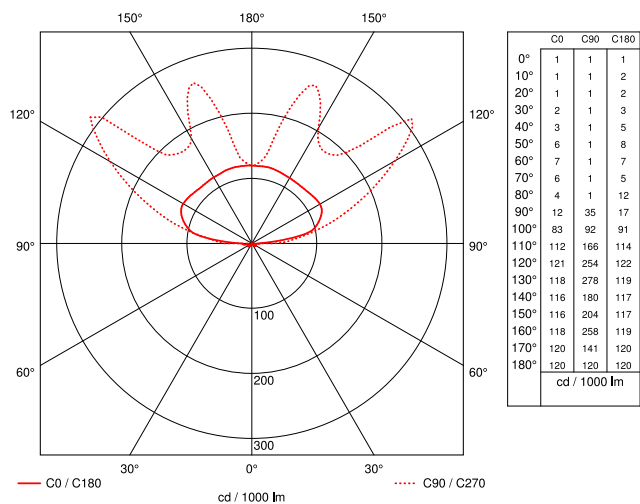
^{a)} Tested to EN 60598-1:2008+A11:2011 with IDC connector (temporary submersion).

^{b)} Ideal for a 1D curve. Contact us for design assistance.

Subject to change without notice. Errors and omissions excepted.

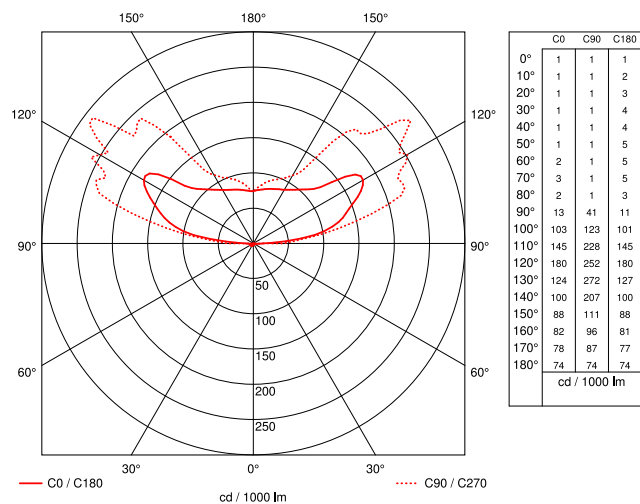
Photometrics

Side A with reflector*



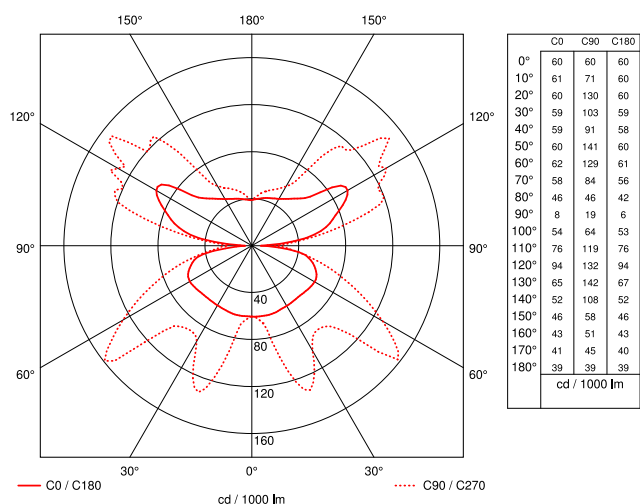
Lumens: 600 lm

Side B with reflector*



Lumens: 600 lm

Double-sided



Lumens: 600 lm

Side A: Top Connector Side

Side B: Bottom Connector Side

*High efficiency white reflector (Furukawa Electric MCPET E3)

Subject to change without notice. Errors and omissions excepted.

Product Order Codes

Plug & Play Sample Kit	Product Order Codes	EAN Number
Morar, 3000K, Cables + Plug Top Power Supply	KITMO01OD3085	5060433681141
Morar, 4000K, Cables + Plug Top Power Supply	KITMO01OD4085	5060433681059
Morar, 6500K, Cables + Plug Top Power Supply	KITMO01OD6585	5060433681134

Backlighting Solutions	Product Order Codes	EAN Number
Morar, 3000K, 85 CRI	MO01OD3085	5060433680953
Morar, 4000K, 85 CRI	MO01OD4085	5060433680861
Morar, 6500K, 85 CRI	MO01OD6585	5060433680960

Power Supplies*	Product Order Codes	EAN Number
Osram 240W 24V IP67	PS2402467ND	5060433680625
Meanwell 120W 24V IP65	PS1202465ND	5060433680632
Osram 75W 24V IP64	PS752464ND	5060433680724
Osram 50W 24V IP66	PS502466ND	5060433680533
Osram 50W 24V IP20	PS502420ND	5060433680823
Osram 30W 24V IP66	PS302466ND	5060433680526
Meanwell 25W 24V IP42 (US compatible)	PS252442ND	5060433680816
Osram 20W 24V IP20	PS202420ND	5060433680618
Power Pax Plug Top 15W 24V IP20 (requires ODPCA2300BC)	PS152420ND	5060433680540

*Guidance on Power Supplies & Controls available upon request

Cables & Connectors	Product Order Codes	EAN Number
Outdoor Input Power Cable, twin core wire, 1m	ODPCA21000	5060433680786
Outdoor Input Power Cable with barrel connector, 300 mm	ODPCA2300BC	5060433680809
Outdoor Connector IP67	ODCON01	5060433680793

Installation Systems	Product Order Codes	EAN Number
4 ways Mounting Bracket	ISBL014MB	5060433680335
2 Ways Mounting Bracket	ISBL012MB	5060433680342
Push Fastener	ISBL01PF	5060433680352
Signage Grip	ISBL01SG	5060433680366
Stand-off Fastener	ISBL01SF	5060433680377
Wire Termination Cap	ISBL01WT	5060433680830

Subject to change without notice. Errors and omissions excepted.