

'Clyde' lighting solutions help retailers, shop fitters and designers to reinvent promotional displays and retail spaces. Clyde modules are the best choice when it comes to illumination and design-oriented solutions for retail shelf lighting and interior designs. They can be seamlessly interconnected to create continuous light in a linear or freeform shape flat or curved. With its full performance and high flexibility Clyde delivers new opportunities and advantages for innovative retail lighting design.

Why Clyde:

- 2mm thin design to provide a discreet lighting solution
- Adapts to any profile due to its flexible nature
- Cuttable to size tile for ultimate precision of installation
- Integrated optics for premium product illumination with no glare or multi-shadow artefact
- Modular design allows simple and quick installation with standard mountings / fixing
- Ideal for flat or curved showcases, displays, shelves and under cabinet lighting
- Can be used as individual unit or in continuous rows up to 10m
- Compatible with all 24V DC standard power supplies, including dimmable

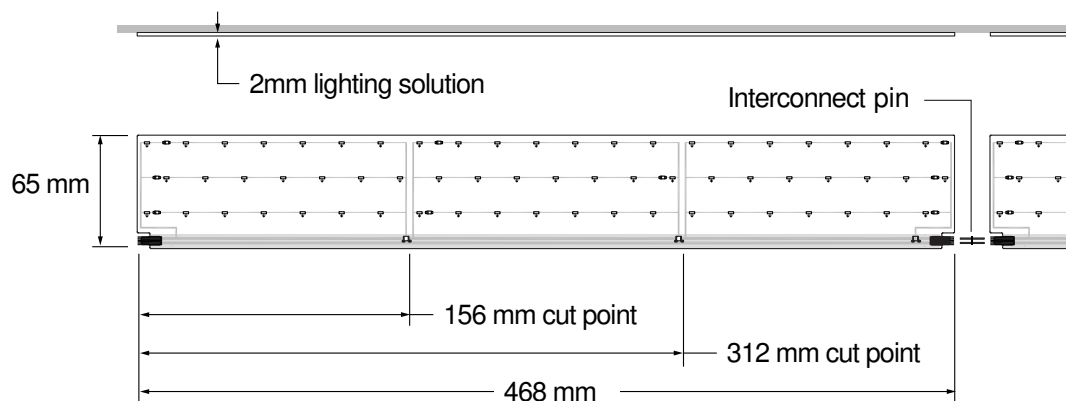


Technical Specification

Design LED Products offers a technical consulting service to ensure light and colour quality match your project specifications.

Electrical data		Photometric data	
Power consumption	3.2 W	Luminous flux	350 lm
Input voltage	24 V DC	Module efficacy	109 lm/W
Cable required	AWG 22	CCT	3000 K, 4000 K
Max. number of serially connected modules	20 modules	CRI	85 Ra
		Lumen maintenance	L70, B50 @ +25 °C > 50,000 hrs
Certifications & Safety		Physical data	
Standards	CE	Length	468 mm
Module IP Rating	20	Width	65 mm
Energy efficiency class	A++	Module height	2 mm
Module material	PET + PU (UL94-HB)	Weight	80 g
Connector material	Nylon 6 (UL94 V0)	Min. Bend radius ^{a)}	100 mm
		Operating temperatures	-20 °C ... +50 °C

Dimensions



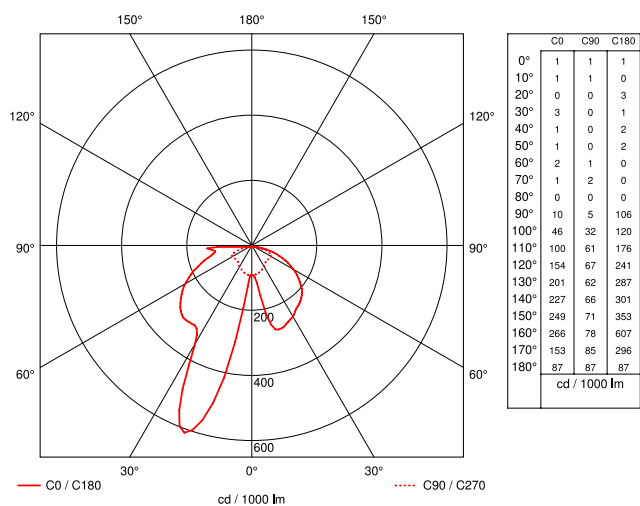
To download a complete installation guide
please visit our website www.designledproducts.com

^{a)} Ideal for a 1D curve. Contact us for design assistance.

Subject to change without notice. Errors and omissions excepted.

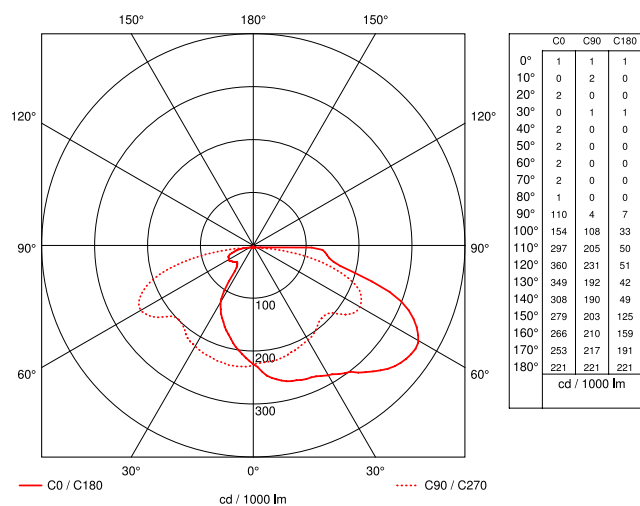
Photometrics

Side A with reflector*



Lumens: 350 lm

Side B with reflector*



Lumens: 350 lm

Side A: Top Connector Side

Side B: Bottom Connector Side

*High efficiency, white reflector (Furukawa Electric MCPET E3)

Subject to change without notice. Errors and omissions excepted.

Product Order Codes

Plug & Play Sample Kit	Product Order Codes	EAN Number
Clyde, 3000K, Cables + Plug Top Power Supply	KITCL01ID3085	5060433681127
Clyde, 4000K, Cables + Plug Top Power Supply	KITCL01ID4085	5060433681011

Lighting Solutions	Product Order Codes	EAN Number
Clyde, 3000K, 85 CRI	CL01ID3085	5060433680878
Clyde, 4000K, 85 CRI	CL01ID4085	5060433680144

Power Supplies*	Product Order Codes	EAN Number
Osram 240W 24V IP67	PS2402467ND	5060433680625
Meanwell 120W 24V IP65	PS1202465ND	5060433680632
Osram 75W 24V IP64	PS752464ND	5060433680724
Osram 50W 24V IP66	PS502466ND	5060433680533
Osram 50W 24V IP20	PS502420ND	5060433680823
Osram 30W 24V IP66	PS302466ND	5060433680526
Meanwell 25W 24V IP42 (US compatible)	PS252442ND	5060433680816
Osram 20W 24V IP20	PS202420ND	5060433680618
Power Pax Plug Top 15W 24V IP20 (requires IDPCA2300BC)	PS152420ND	5060433680540

*Guidance on Power Supplies & Controls available upon request

Cables & Connectors	Product Order Codes	EAN Number
Input Power Cable Assembly with male connector, 400 mm	IDPCA2400MC	5060433680663
Input Power Cable Assembly with barrel connector, 300 mm	IDPCA2300BC	5060433680410
Interconnect Pins	INIPINS	5060433680427

Installation Systems	Product Order Codes	EAN Number
Diffuser, 470 mm	ISCL010470DIF	5060433680687
Diffuser, 2 m	ISCL012000DIF	5060433680694
Reflector, 470 mm	ISCL010470REF	5060433680175
Installation Screws	ISCL01SCR	5060433680656
Self-adhesive Tape for LED module, 430 x 6 mm	ISCL01SATCL	5060433680700
Self-adhesive Tape for reflector, 465 x 6 mm	ISCL01SATREF	5060433680717

Subject to change without notice. Errors and omissions excepted.